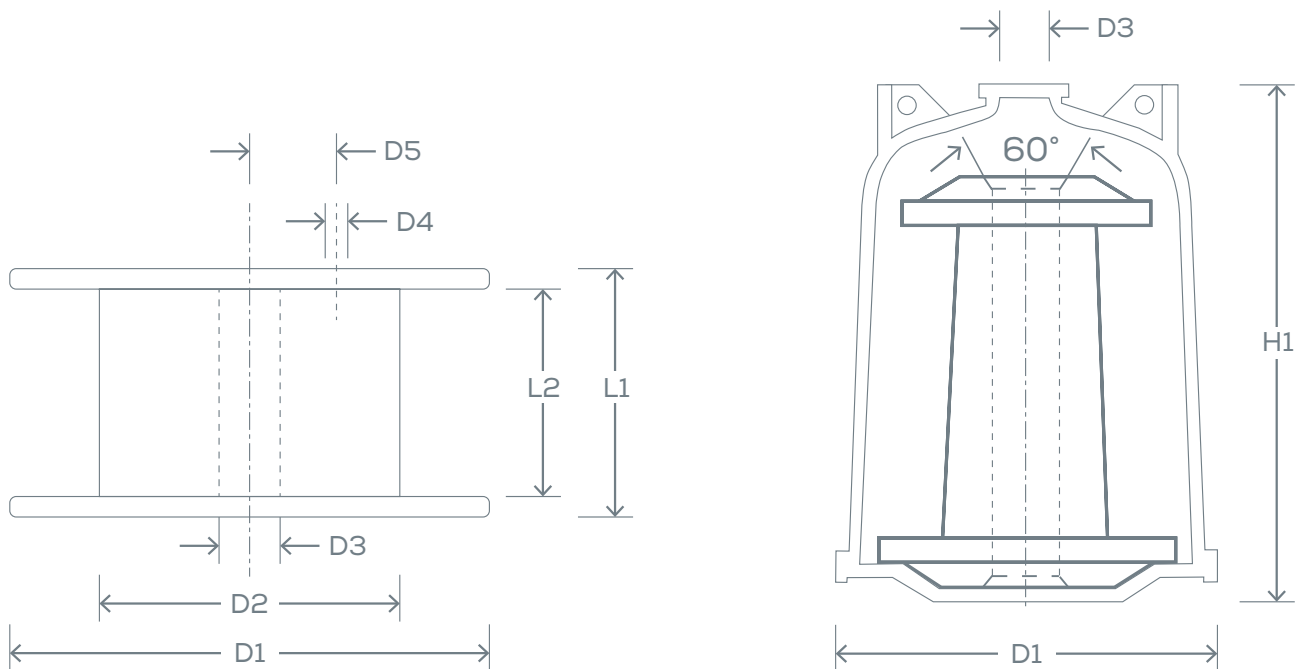


ASSORTMENT OF SPOOLS



Cylindrical spools

Type	Material	D1 (in mm)	D2 (in mm)	D3 (in mm)	D4 (in mm)	D5 (in mm)	L1 (in mm)	L2 (in mm)	Deadweight	Weight
K250	Plastic	250	160	22	13	43	200	160	Approx. 1.5 kg	Approx. 20 kg
K355	Plastic	355	225	35	26	80	200	160	Approx. 3.5 kg	Approx. 40 kg
K500	Plastic	500	320	35	26	80	250	180	Approx. 8 kg	Approx. 100 kg
VM710	Plastic	710	500	55	26	140	250	180	Approx. 15 kg	Approx. 200 kg
VM630	Plastic	630	315	44	26	80	230	180	Approx. 9.5 kg	Approx. 200 kg
VM800	Plastic	800	400	85	26	140	320	250	Approx. 20 kg	Approx. 400 kg
H1150	Wood	1,150	630	80	22	80	340	280	Approx. 52 kg	Approx. 1,000 kg
ND630	Steel	630	355	127	28	140	445	405	Approx. 64 kg	Approx. 350 kg
EGE762	Steel	762	355	127	28	140	550	500	Approx. 107 kg	Approx. 950 kg

Cylindrical barrelled delivery spools acc. to IEC 60264-2, DIN 46399 or 46395 and other customised specifications are possible upon request.

Long spools with container

Type	D1 (in mm)	H1 (in mm)	D3 (in mm)	Deadweight	Weight Cu
A250	315	500	100	4.7 kg	Approx. 45 kg
A315	400	630	100	9.1 kg	Approx. 90 kg
A400	500	800	100	16.0 kg	Approx. 180 kg

Long spools acc. to IEC 60264-3 with container acc. to IEC 60264-3-5

PARTZSCH Spezialdrähte GmbH · Ossig Nr. 9 · D-04741 Rosswein
 Telephone +49 (0) 34322 6681-10 · Fax +49 (0) 34322 6681-11
 spezialdraehte@partzsch.de

www.partzsch.de

Quality Management System
 DQS certified according to
 DIN EN ISO 9001:2015

